

GEITH 180 SERIES TEETH

PART NUMBER & DIMENSIONAL GUIDES



Standard Tooth

See Page 1



Flared Tooth

See Page 2



Single Tiger

See Page 3



Twin Tiger

See Page 4



GEITH 180 STANDARD TEETH

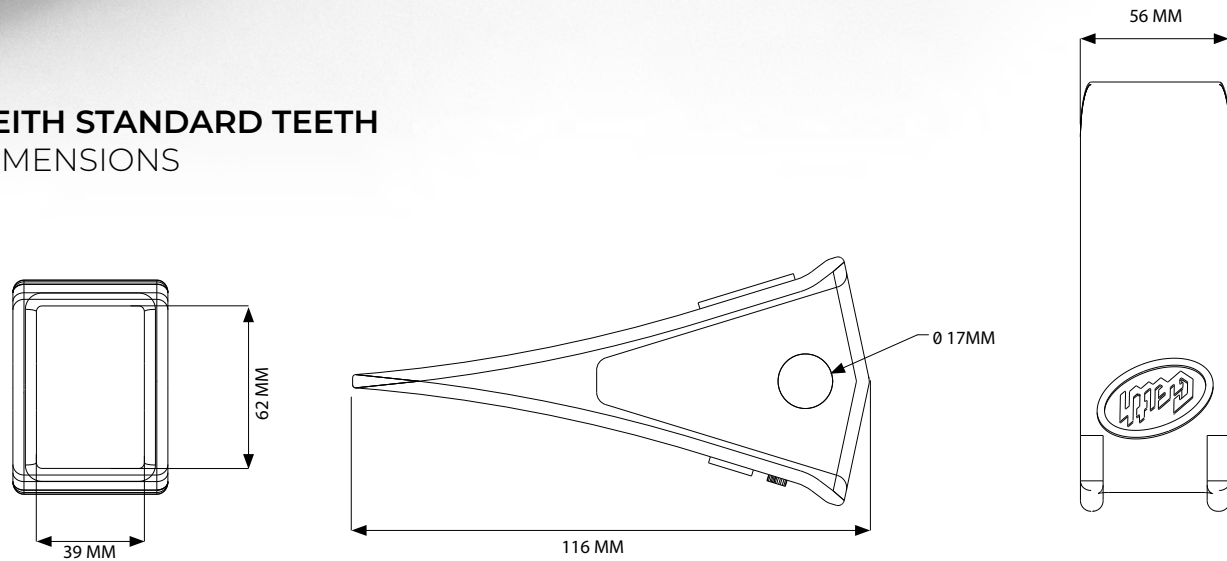
PART NO. & DIMENSIONS GUIDE



GEITH STANDARD TEETH PART NUMBERS

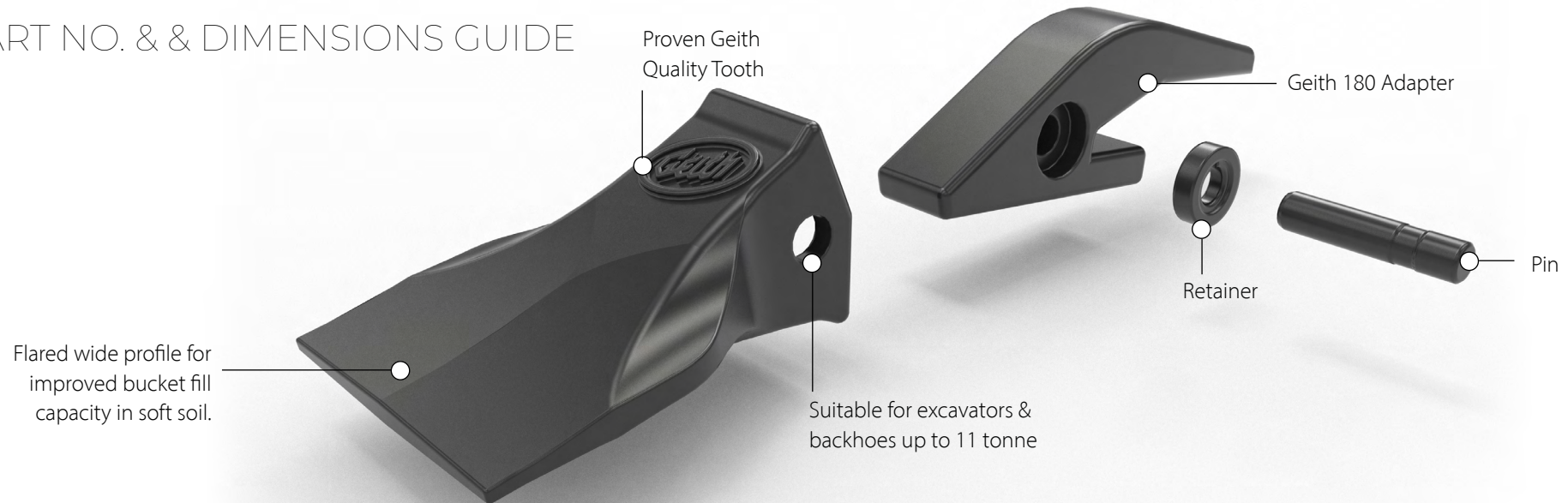
Part Number	Description
602000091503	GEITH STANDARD 180
6020006Y3228	PIN 180 STYLE 6Y3228
6020008E6259	RETAINER 180 STYLE

GEITH STANDARD TEETH DIMENSIONS



GEITH 180 FLARED TEETH

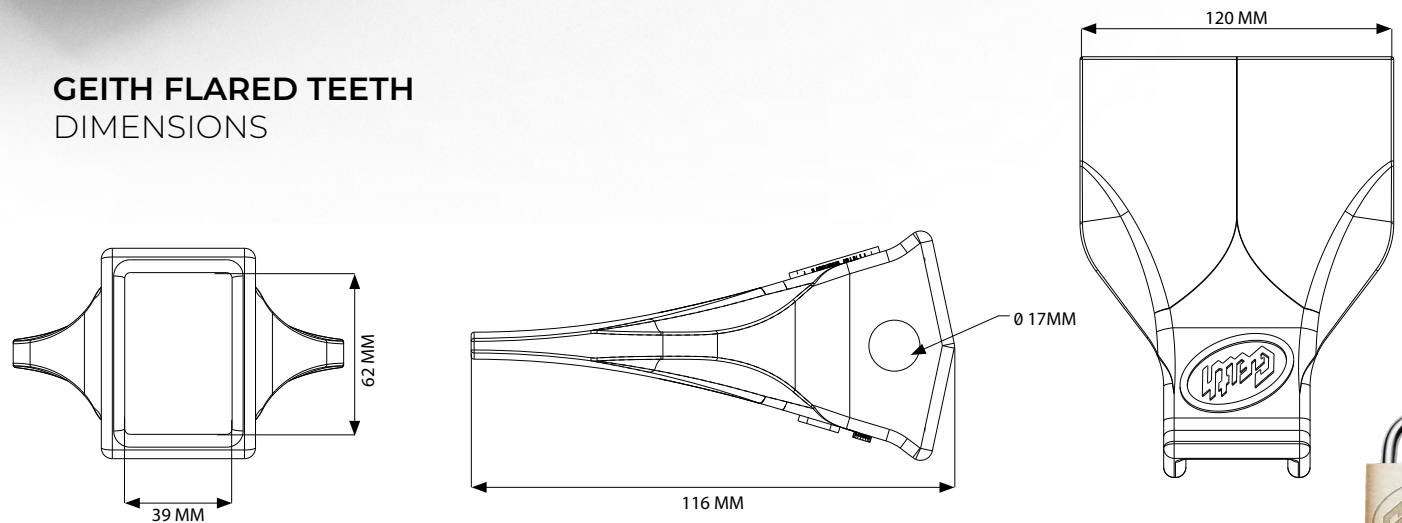
PART NO. & DIMENSIONS GUIDE



GEITH FLARED TEETH PART NUMBERS

Part Number	Description
602000069870	GEITH 180 FLARED
602000091503	GEITH 180 TIP
6020008E6259	RETAINER 180 STYLE

GEITH FLARED TEETH DIMENSIONS



GEITH 180 TIGER TEETH

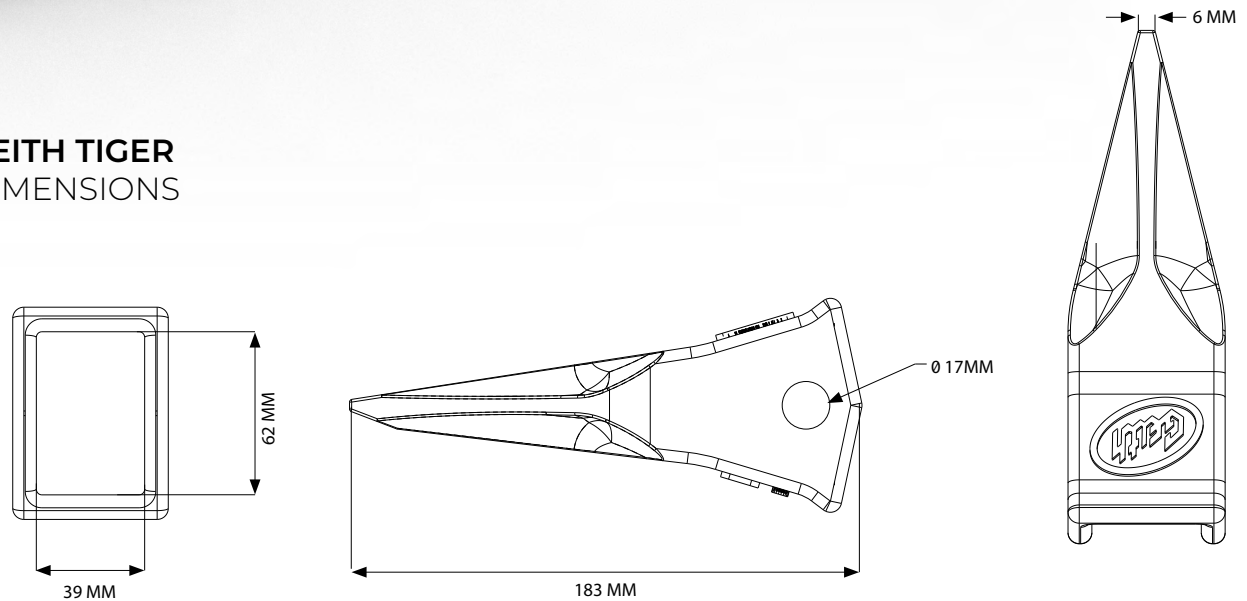
PART NO. & DIMENSIONS GUIDE



GEITH TIGER PART NUMBERS

Part Number	Description
602000069871	GEITH 180 SINGLE TIGER
6020006Y3228	PIN 180 STYLE 6Y3228
6020008E6259	RETAINER 180 STYLE

GEITH TIGER DIMENSIONS



GEITH 180 TWIN TIGER TEETH

PART NO. & DIMENSIONS GUIDE



GEITH TWIN TIGER PART NUMBERS

Part Number	Description
602000069872	GEITH 180 TWIN TIGER
6020006Y3228	PIN 180 STYLE 6Y3228
6020008E6259	RETAINER 180 STYLE

GEITH TWIN TIGER DIMENSIONS

