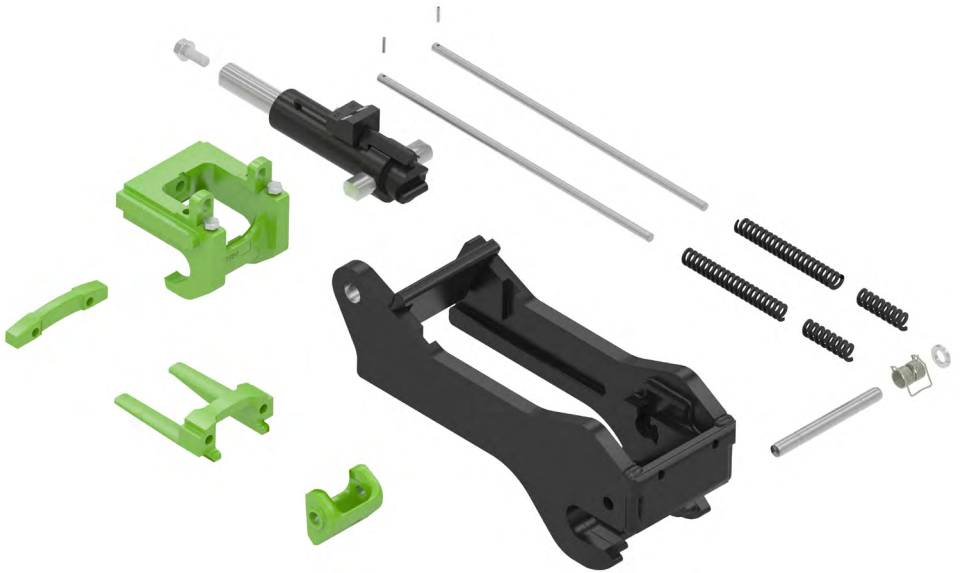
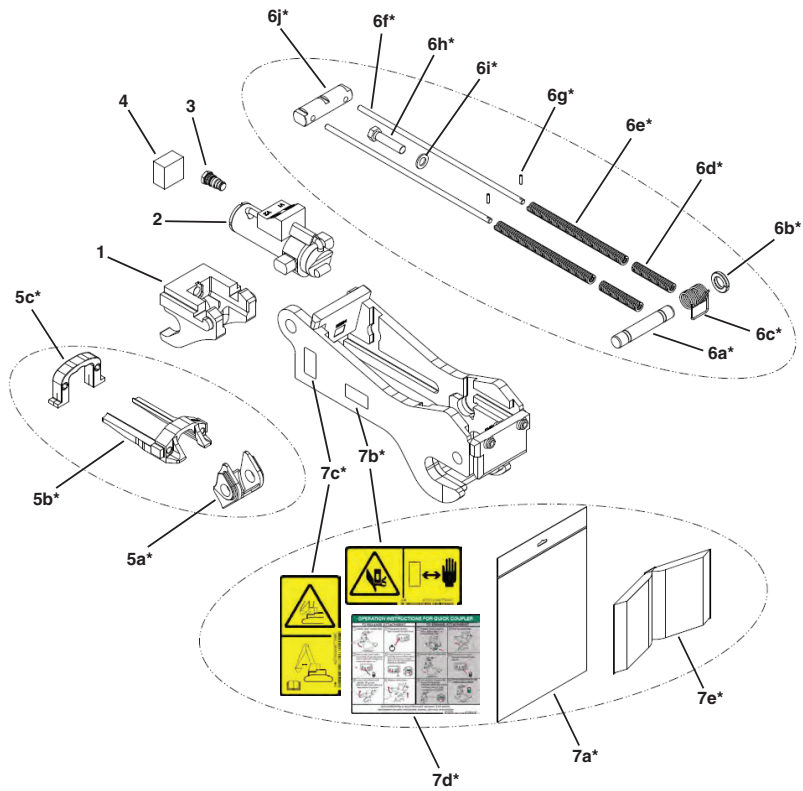




QUICK COUPLER
PARTS & SERVICE KIT
MANUAL



QC45-50HXG4



REF.	DESCRIPTION	QC45-50H1G4	QC45-50H2G4	QC45-50H3G4	QTY.
1	CAST WEDGE	701000112696	701000101221	701000101222	1
2	HYDRAULIC CYLINDER	702000112645	702000112645	702000112645	1
3	CHECK VALVE	701000070693	701000070693	701000070693	1
4	SEAL KIT	704000101296	704000101296	704000101296	1
5	CAST KIT	701000097934	701000097934	701000097934	1
5a*	FRONT LOCK				1
5b*	SLIDER				1
5c*	SLIDING BLOCK				1
6	PARTS KIT	701000097935	701000097935	701000097935	1
6a*	LOCK PIN				1
6b*	LOCK RING				1
6c*	DOUBLE TORSION SPRING				1
6d*	DIE SPRING 20x10x102				2
6e*	DIE SPRING 20x10x254				2
6f*	GUIDE PIN				2
6g*	M04 X 20 ROLL PIN				2
6h*	M16 X 2.0 X 70MM SCREW				1
6i*	M16 WASHER				1
6j*	BACKSTOP				1
7	G4-HYD-GEITH MANUAL-DECALS	**	**	**	1
7a*	DOCUMENT POUCH				1
7b*	STICKER HAND WARNING				1
7c*	TIP RADIUS STICKER				2
7d*	STICKER Q/C OPERATION INSTRUCTIONS				1
7e*	GEITH G4 COUPLER MANUAL				1

* = INCLUDED IN SERVICE KIT ONLY (NOT AVAILABLE FOR INDIVIDUAL ORDER)

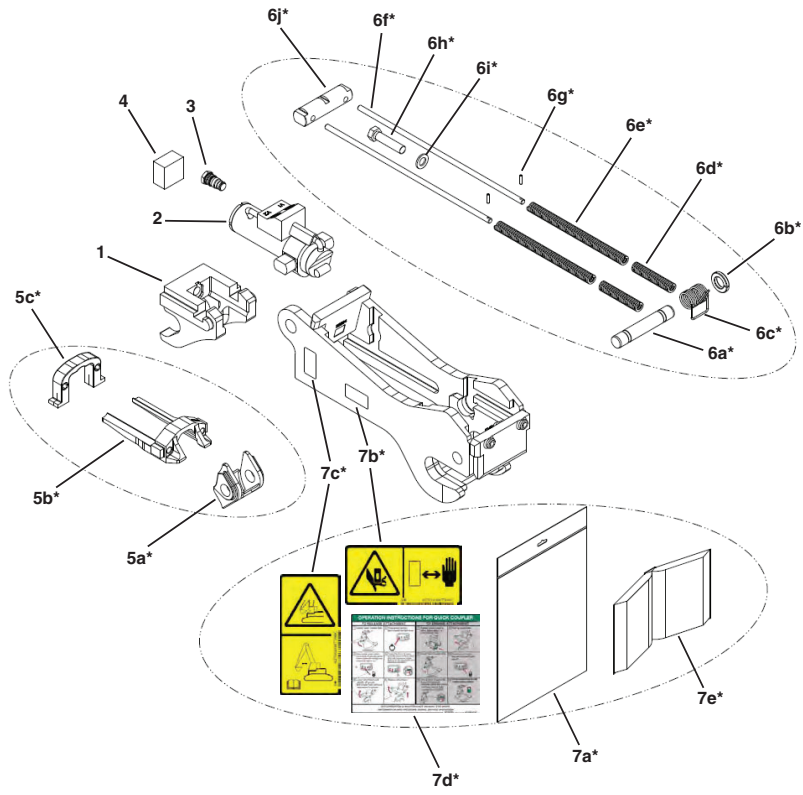
** = CONTACT CUSTOMER SERVICE FOR CORRECT PART NUMBER

Figure 1

QUICK COUPLER

QUICK COUPLER

QC45-50HXG4 (CONT'D)



REF.	DESCRIPTION	QC45-50H4G4	QC45-50H5G4	QC45-50H6G4	QTY.
1	CAST WEDGE	701000101223	701000101224	701000101225	1
2	HYDRAULIC CYLINDER	702000112645	702000112645	702000112645	1
3	CHECK VALVE	701000070693	701000070693	701000070693	1
4	SEAL KIT	704000101296	704000101296	704000101296	1
5	CAST KIT	701000097934	701000097934	701000097934	1
5a*	FRONT LOCK				1
5b*	SLIDER				1
5c*	SLIDING BLOCK				1
6	PARTS KIT	701000097935	701000097935	701000097935	1
6a*	LOCK PIN				1
6b*	LOCK RING				1
6c*	DOUBLE TORSION SPRING				1
6d*	DIE SPRING 20x10x102				2
6e*	DIE SPRING 20x10x254				2
6f*	GUIDE PIN				2
6g*	M04 X 20 ROLL PIN				2
6h*	M16 X 2.0 X 70MM SCREW				1
6i*	M16 WASHER				1
6j*	BACKSTOP				1
7	G4-HYD-GEITH MANUAL-DECALS	**	**	**	1
7a*	DOCUMENT POUCH				1
7b*	STICKER HAND WARNING				1
7c*	TIP RADIUS STICKER				2
7d*	STICKER Q/C OPERATION INSTRUCTIONS				1
7e*	GEITH G4 COUPLER MANUAL				1

* = INCLUDED IN SERVICE KIT ONLY (NOT AVAILABLE FOR INDIVIDUAL ORDER)

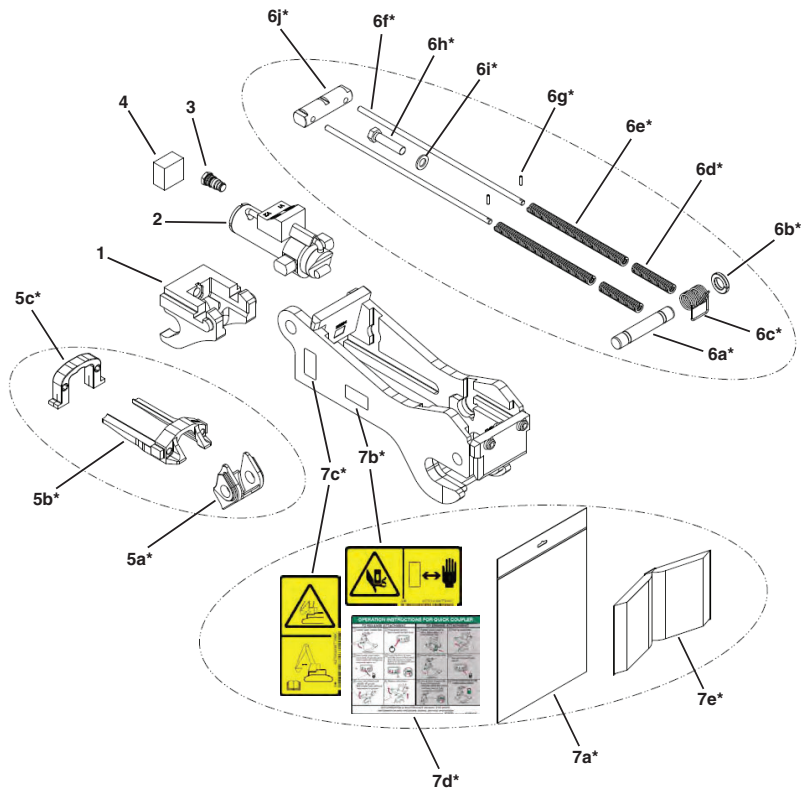
** = CONTACT CUSTOMER SERVICE FOR CORRECT PART NUMBER

Figure 2

QUICK COUPLER

QUICK COUPLER

QC45-50HXG4 (CONT'D)



REF.	DESCRIPTION	QC45-50H7G4	QTY.
1	CAST WEDGE	701000098054	1
2	HYDRAULIC CYLINDER	702000112645	1
3	CHECK VALVE	701000070693	1
4	SEAL KIT	704000101296	1
5	CAST KIT	701000098055	1
5a*	FRONT LOCK		1
5b*	SLIDER		1
5c*	SLIDING BLOCK		1
6	PARTS KIT	701000098056	1
6a*	LOCK PIN		1
6b*	LOCK RING		1
6c*	DOUBLE TORSION SPRING		1
6d*	DIE SPRING 20x10x102		2
6e*	DIE SPRING 20x10x254		2
6f*	GUIDE PIN		2
6g*	M04 X 20 ROLL PIN		2
6h*	M16 X 2.0 X 70MM SCREW		1
6i*	M16 WASHER		1
6j*	BACKSTOP		1
7	G4-HYD-GEITH MANUAL-DECALS	**	1
7a*	DOCUMENT POUCH		1
7b*	STICKER HAND WARNING		1
7c*	TIP RADIUS STICKER		2
7d*	STICKER Q/C OPERATION INSTRUCTIONS		1
7e*	GEITH G4 COUPLER MANUAL		1

* = INCLUDED IN SERVICE KIT ONLY (NOT AVAILABLE FOR INDIVIDUAL ORDER)

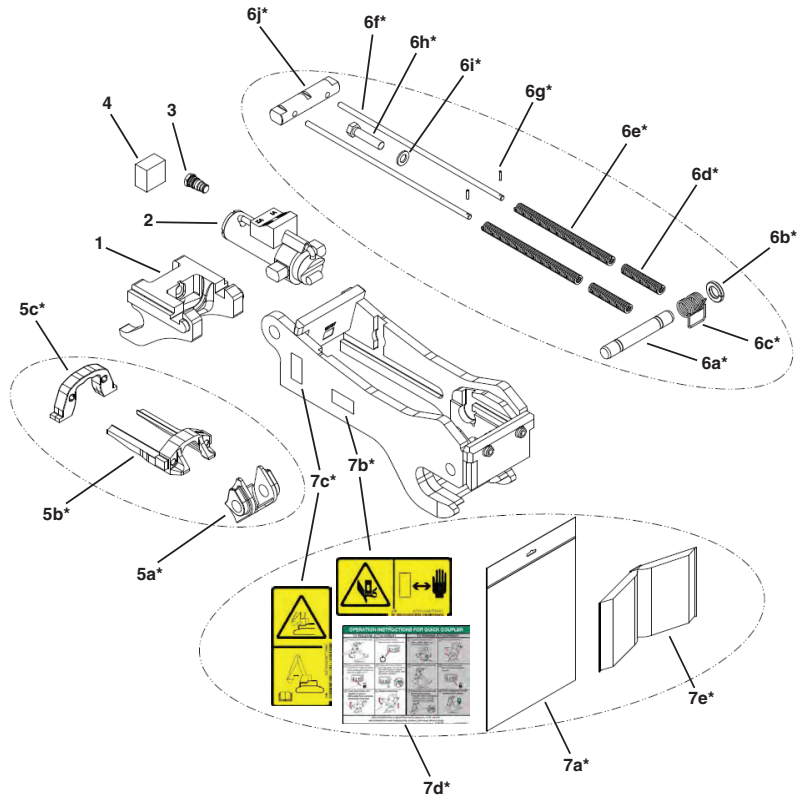
** = CONTACT CUSTOMER SERVICE FOR CORRECT PART NUMBER

Figure 3

QUICK COUPLER

QUICK COUPLER

QC50-55-60HXG4



REF.	DESCRIPTION	QC50-55-60H1G4	QC50-55-60H2G4	QC50-55-60H3G4	QTY.
1	CAST WEDGE	701000112735	701000101226	701000101227	1
2	HYDRAULIC CYLINDER	702000112645	702000112645	702000112645	1
3	CHECK VALVE	701000070693	701000070693	701000070693	1
4	SEAL KIT	704000101296	704000101296	704000101296	1
5	CAST KIT	701000097922	701000097922	701000097922	1
5a*	FRONT LOCK				1
5b*	SLIDER				1
5c*	SLIDING BLOCK				1
6	PARTS KIT	701000097923	701000097923	701000097923	1
6a*	LOCK PIN				1
6b*	LOCK RING				1
6c*	DOUBLE TORSION SPRING				1
6d*	DIE SPRING 20x10x102				2
6e*	DIE SPRING 20x10x254				2
6f*	GUIDE PIN				2
6g*	M04 X 20 ROLL PIN				2
6h*	M16 X 2.0 X 70MM SCREW				1
6i*	M16 WASHER				1
6j*	BACKSTOP				1
7	G4-HYD-GEITH MANUAL-DECALS	**	**	**	1
7a*	DOCUMENT POUCH				1
7b*	STICKER HAND WARNING				1
7c*	TIP RADIUS STICKER				2
7d*	STICKER Q/C OPERATION INSTRUCTIONS				1
7e*	GEITH G4 COUPLER MANUAL				1

* = INCLUDED IN SERVICE KIT ONLY (NOT AVAILABLE FOR INDIVIDUAL ORDER)

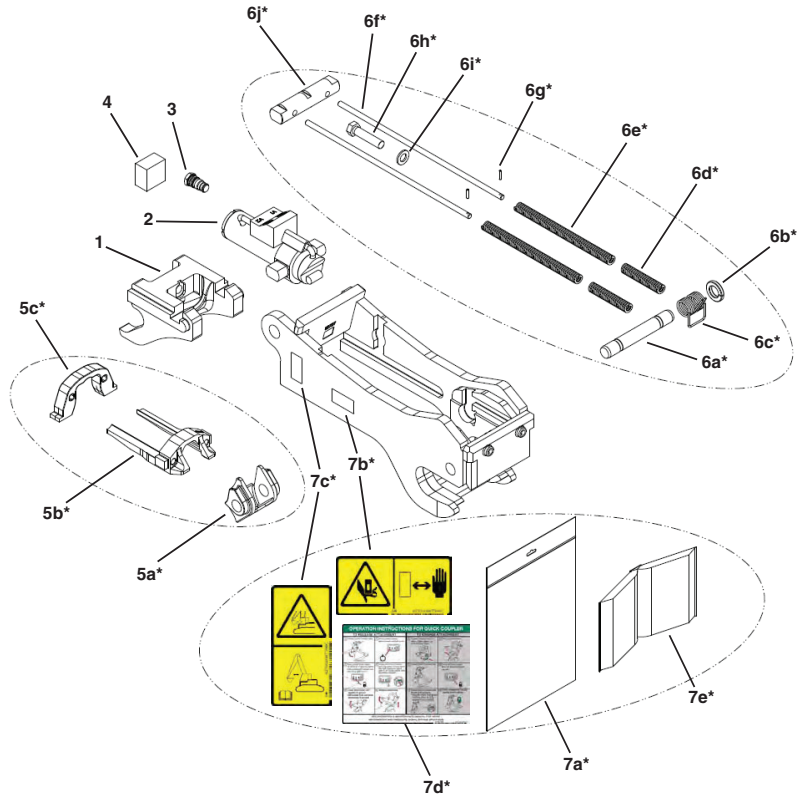
** = CONTACT CUSTOMER SERVICE FOR CORRECT PART NUMBER

Figure 4

QUICK COUPLER

QUICK COUPLER

QC50-55-60HXG4 (CONT'D)



REF.	DESCRIPTION	QC50-55-60H4G4	QC50-55-60H5G4	QTY.
1	CAST WEDGE	701000101228	701000112803	1
2	HYDRAULIC CYLINDER	702000112645	702000112645	1
3	CHECK VALVE	701000070693	701000070693	1
4	SEAL KIT	704000101296	704000101296	1
5	CAST KIT	701000097922	701000098094	1
5a*	FRONT LOCK			1
5b*	SLIDER			1
5c*	SLIDING BLOCK			1
6	PARTS KIT	701000097923	701000098095	1
6a*	LOCK PIN			1
6b*	LOCK RING			1
6c*	DOUBLE TORSION SPRING			1
6d*	DIE SPRING 20x10x102			2
6e*	DIE SPRING 20x10x254			2
6f*	GUIDE PIN			2
6g*	M04 X 20 ROLL PIN			2
6h*	M16 X 2.0 X 70MM SCREW			1
6i*	M16 WASHER			1
6j*	BACKSTOP			1
7	G4-HYD-GEITH MANUAL-DECALS	**	**	1
7a*	DOCUMENT POUCH			1
7b*	STICKER HAND WARNING			1
7c*	TIP RADIUS STICKER			2
7d*	STICKER Q/C OPERATION INSTRUCTIONS			1
7e*	GEITH G4 COUPLER MANUAL			1

* = INCLUDED IN SERVICE KIT ONLY (NOT AVAILABLE FOR INDIVIDUAL ORDER)

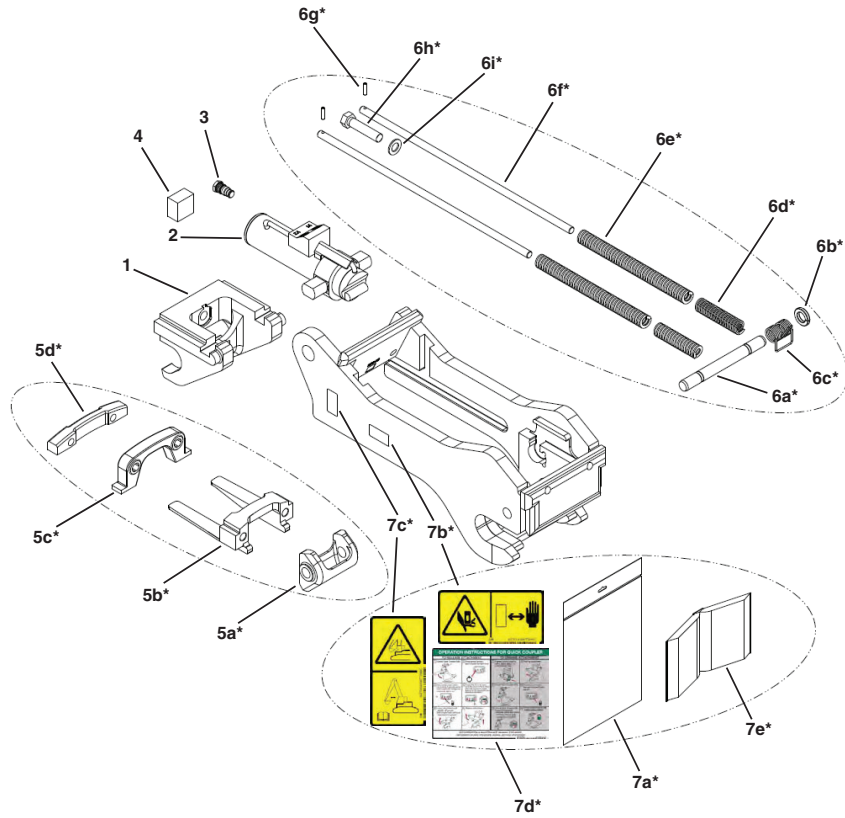
** = CONTACT CUSTOMER SERVICE FOR CORRECT PART NUMBER

Figure 5

QUICK COUPLER

QUICK COUPLER

QC60-65HXG4



REF.	DESCRIPTION	QC60-65H1G4	QC60-65H2G4	QC60-65H3G4	QTY.
1	CAST WEDGE	701000069158	701000069155	701000069166	1
2	HYDRAULIC CYLINDER	702000112544	702000112544	702000112544	1
3	CHECK VALVE	701000070693	701000070693	701000070693	1
4	SEAL KIT	704000064311	704000064311	704000064311	1
5	CAST KIT	701000101064	701000101064	701000101064	1
5a*	FRONT LOCK				1
5b*	SLIDER				1
5c*	SLIDING BLOCK				1
5d*	BACKSTOP				1
6	PARTS KIT	701000101066	701000101066	701000101066	1
6a*	LOCK PIN				1
6b*	LOCK RING				1
6c*	DOUBLE TORSION SPRING				1
6d*	DIE SPRING 32x16x127				2
6e*	DIE SPRING 32x16x330				2
6f*	GUIDE PIN				2
6g*	M06 X 30 ROLL PIN				2
6h*	M20 X 2.5 X 90MM SCREW				1
6i*	M20 WASHER				1
7	G4-HYD-GEITH MANUAL-DECALS	**	**	**	1
7a*	DOCUMENT POUCH				1
7b*	STICKER HAND WARNING				1
7c*	TIP RADIUS STICKER				2
7d*	STICKER Q/C OPERATION INSTRUCTIONS				1
7e*	GEITH G4 COUPLER MANUAL				1

* = INCLUDED IN SERVICE KIT ONLY (NOT AVAILABLE FOR INDIVIDUAL ORDER)

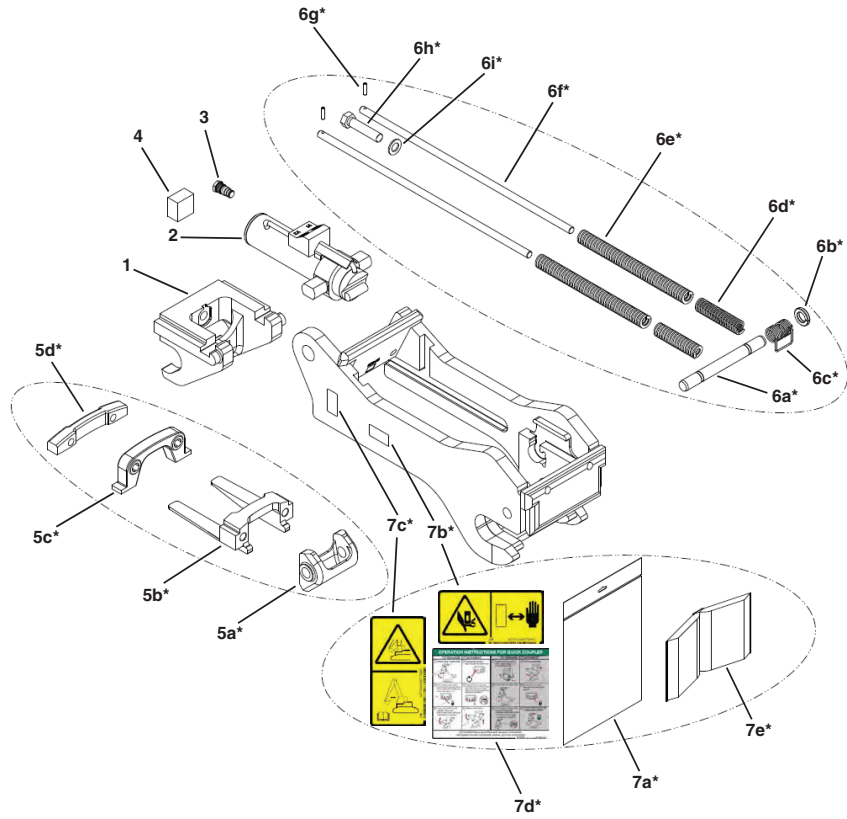
** = CONTACT CUSTOMER SERVICE FOR CORRECT PART NUMBER

Figure 6

QUICK COUPLER

QUICK COUPLER

QC60-65HXG4 (CONT'D)



REF.	DESCRIPTION	QC60-65H4G4	QC60-65H5G4	QTY.
1	CAST WEDGE	701000069162	701000069157	1
2	HYDRAULIC CYLINDER	702000112544	702000112544	1
3	CHECK VALVE	701000070693	701000070693	1
4	SEAL KIT	704000064311	704000064311	1
5	CAST KIT	701000101065	701000101065	1
5a*	FRONT LOCK			1
5b*	SLIDER			1
5c*	SLIDING BLOCK			1
5d*	BACKSTOP			1
6	PARTS KIT	701000101067	701000101067	1
6a*	LOCK PIN			1
6b*	LOCK RING			1
6c*	DOUBLE TORSION SPRING			1
6d*	DIE SPRING 32x16x127			2
6e*	DIE SPRING 32x16x330			2
6f*	GUIDE PIN			2
6g*	M06 X 30 ROLL PIN			2
6h*	M20 X 2.5 X 90MM SCREW			1
6i*	M20 WASHER			1
7	G4-HYD-GEITH MANUAL-DECALS	**	**	1
7a*	DOCUMENT POUCH			1
7b*	STICKER HAND WARNING			1
7c*	TIP RADIUS STICKER			2
7d*	STICKER Q/C OPERATION INSTRUCTIONS			1
7e*	GEITH G4 COUPLER MANUAL			1

* = INCLUDED IN SERVICE KIT ONLY (NOT AVAILABLE FOR INDIVIDUAL ORDER)

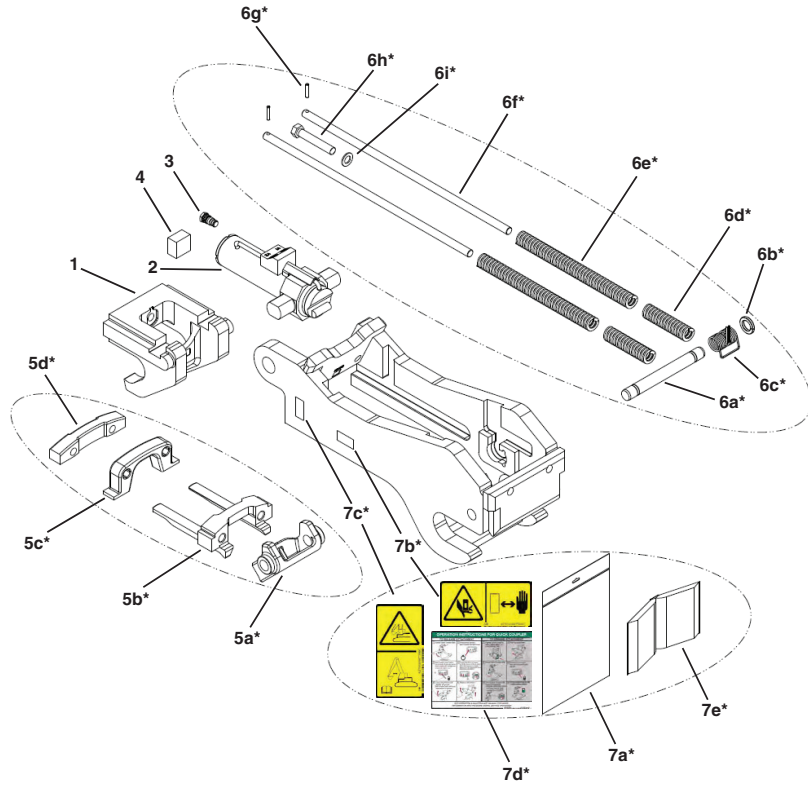
** = CONTACT CUSTOMER SERVICE FOR CORRECT PART NUMBER

Figure 7

QUICK COUPLER

QUICK COUPLER

QC70-80HXG4



REF.	DESCRIPTION	QC70-80H1G4	QC70-80H2G4	QC70-80H3G4	QTY.
1	CAST WEDGE	701000097848	701000101123	701000097848	1
2	HYDRAULIC CYLINDER	702000112680	702000112680	702000112680	1
3	CHECK VALVE	701000070693	701000070693	701000070693	1
4	SEAL KIT	704000064312	704000064312	704000064312	1
5	CAST KIT	701000097849	701000097849	701000097849	1
5a*	FRONT LOCK				1
5b*	SLIDER				1
5c*	SLIDING BLOCK				1
5d*	BACKSTOP				1
6	PARTS KIT	701000097850	701000097900	701000097900	1
6a*	LOCK PIN				1
6b*	LOCK RING				1
6c*	DOUBLE TORSION SPRING				1
6d*	DIE SPRING 40x20x152				2
6e*	DIE SPRING 40x20x406				2
6f*	GUIDE PIN				2
6g*	M08 X 40 ROLL PIN				2
6h*	M20 X 2.5 X 120MM SCREW				1
6i*	M20 WASHER				1
6j*	M20 WASHER				1
7	G4-HYD-GEITH MANUAL-DECALS	**	**	**	1
7a*	DOCUMENT POUCH				1
7b*	STICKER HAND WARNING				1
7c*	TIP RADIUS STICKER				2
7d*	STICKER Q/C OPERATION INSTRUCTIONS				1
7e*	GEITH G4 COUPLER MANUAL				1

* = INCLUDED IN SERVICE KIT ONLY (NOT AVAILABLE FOR INDIVIDUAL ORDER)

** = CONTACT CUSTOMER SERVICE FOR CORRECT PART NUMBER

Figure 8

QUICK COUPLER

QUICK COUPLER